

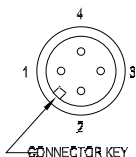
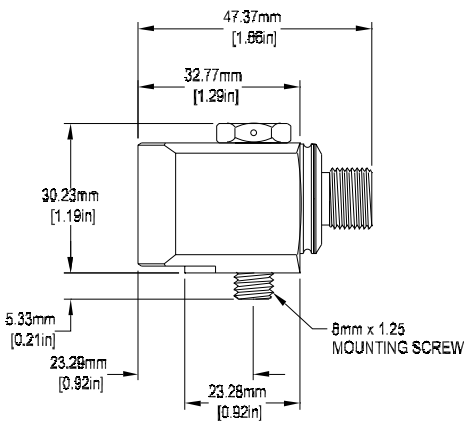
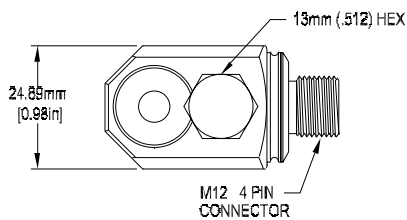


Wilcoxon Research model 787AM8-M12 Low profile, general purpose accelerometer



Features

- M12 connector
- Hermetic seal
- Rugged design
- Corrosion resistant
- Case isolated
- ESD protection
- Reverse wiring protection



Dynamic

| | |
|-------------------------------------|-----------------|
| Sensitivity, $\pm 5\%$, 25° C..... | 100 mV/g |
| Acceleration range | 80 g peak |
| Amplitude nonlinearity..... | 1% |
| Frequency response: | |
| $\pm 10\%$ | 1 - 5,000 Hz |
| ± 3 dB | 0.7 - 10,000 Hz |
| Resonance frequency..... | 22 kHz |
| Transverse sensitivity, max..... | 5% of axial |
| Temperature response: | |
| -50° C..... | -5% |
| +120° C..... | +5% |

Electrical

| | |
|---|--------------------------------------|
| Power requirement: | |
| Voltage source | 18 - 30 VDC |
| Current regulating diode | 2 - 10 mA |
| Electrical noise, equiv g: | |
| Broadband 2.5 Hz to 25 kHz | 700 μ g |
| Spectral 10 Hz | 10 μ g/VHz |
| 100 Hz | 5 μ g/VHz |
| 1000 Hz | 5 μ g/VHz |
| Output impedance, max | 100 Ω |
| Bias output voltage | 12 VDC |
| Grounding..... | case isolated internally shielded |

Environmental

| | |
|---|-----------------------|
| Temperature range | -50 to 120° C |
| Vibration limit..... | 500 g peak |
| Shock limit | 5,000 g peak |
| Electromagnetic sensitivity, equiv g, max | 70 μ g/gauss |
| Sealing | hermetic |
| Base strain sensitivity, max | 0.002 g/ μ strain |

Physical

| | |
|-----------------------------|--------------------------|
| Sensing element design..... | PZT / shear |
| Weight..... | 145 g |
| Case material..... | 316L stainless steel |
| Output connector | 4 pin, M12-style |
| Mating connector | M12-style |
| Recommended cabling | J10 / J9T2A |
| Mounting | captive screw, M8 thread |

Connections

| Function | Connector pin |
|----------------|---------------|
| ground | shell |
| signal / power | 1 |
| common | 2 |
| N/C | 3 |
| N/C | 4 |

Accessories supplied: M8 thread captive hex head screw; calibration data (level 2)

Meggitt Sensing Systems
20511 Seneca Meadows Parkway
Germantown MD 20876
USA

Tel: 301 330 8811
Fax: 301 330 8873
Email: wilcoxon@meggitt.com

www.wilcoxon.com
www.meggitt.com

MEGGITT
smart engineering for
extreme environments
99015 Rev.A.1 4/12

