

## Model 787F Low profile, general purpose accelerometer



### Features

- Corrosion resistant
- Hermetic design
- Ground isolated
- ESD protection
- EMI / RFI protection
- Reverse wiring protection
- Mounts in any orientation

### Dynamic

Sensitivity, ±5%, 25°C .....	100 mV/g
Acceleration range .....	80 g peak
Amplitude nonlinearity .....	1%
Frequency response:	
±10% .....	1.0 - 5,000 Hz
±3 dB .....	0.7 - 10,000 Hz
Resonance frequency .....	22 kHz
Transverse sensitivity, max .....	5% of axial
Temperature response:	
-50°C .....	-5%
+120°C .....	+5%

### Electrical

Power requirement:	voltage source .....	18 - 30 VDC
	current regulating diode .....	2 - 10 mA
Electrical noise, equiv. g:		
Broadband	2.5 Hz to 25 kHz .....	700 µg
Spectral	10 Hz .....	10 µg/√Hz
	100 Hz .....	5 µg/√Hz
	1000 Hz .....	5 µg/√Hz
Output impedance, max.....		100 Ω
Bias output voltage .....		12 VDC
Grounding .....		case isolated, internally shielded

### Environmental

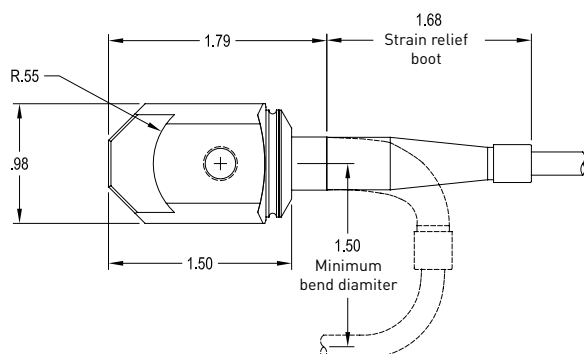
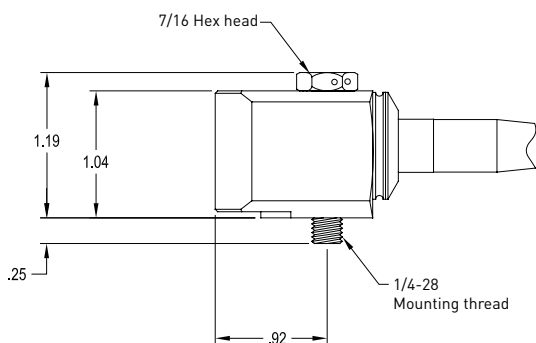
Temperature range .....	-50 to 120°C
Vibration limit .....	500 g
Shock limit, min .....	5,000 g
Electromagnetic sensitivity, equiv. g, max .....	70 µg/gauss
Sealing .....	hermetic
Base strain sensitivity, max .....	0.002 g/µstrain
Hydrostatic pressure .....	100 psi

### Physical

Sensing element design .....	PZT ceramic / shear
Weight .....	145 grams
Case material .....	316L stainless steel
Mounting .....	1/4 - 28 captive hex head screw with 0.046" diameter safety wire hole
Integral cabling .....	J9T2A, 16 ft., blunt cut

Function	Cable conductor color
Case	shield
Power/ signal	white
Common	black

Accessories supplied: #80165-01 captive hex head screw; calibration data (level 2).



Wilcoxon Research Inc  
20511 Seneca Meadows Parkway  
Germantown, MD 20876  
USA

Tel: 301 330 8811  
Fax: 301 330 8873  
Email: wilcoxon@meggitt.com

www.meggitt.com

**MEGGITT**  
smart engineering for  
extreme environments

98958 Rev.B 1/08