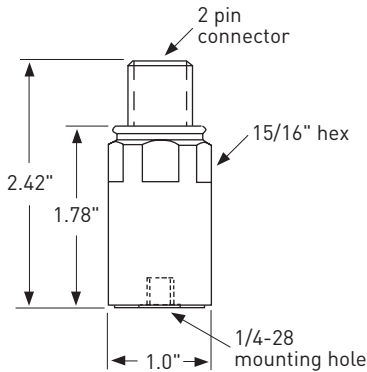




Wilcoxon Research model 793R Radiation resistant piezoelectric accelerometer

Features

- Corrosion-resistant
- Ground isolated
- Rugged design
- Hermetic seal
- ESD protection
- Miswiring protection
- Mounts in any condition
- Radiation rated



Dynamic

Sensitivity, $\pm 5\%$, 25° C.....	100 mV/g
Acceleration range ¹	50 g peak
Amplitude nonlinearity.....	1%
Frequency response:	
$\pm 5\%$	3 - 5,000 Hz
$\pm 10\%$	2 - 7,000 Hz
± 3 dB	1 - 15,000 Hz
Resonance frequency, nominal	26 kHz
Transverse sensitivity, max.....	5% of axial
Temperature response:	
-50° C.....	-5%
+120° C.....	+5%

Electrical

Power requirement:	
Voltage source	18 - 30 VDC
Current regulating diode ¹	2 - 10 mA
Electrical noise, equiv. g, nominal:	
Broadband 2.5 Hz to 25 kHz.....	700 μ g
Spectral	
10 Hz.....	10 μ g/√Hz
100 Hz.....	5 μ g/√Hz
1000 Hz.....	5 μ g/√Hz
Output impedance, max.....	100 Ω
Bias output voltage, nominal	12 VDC
Grounding.....	case isolated, internally shielded

Environmental

Temperature range	-50 to 120° C
Vibration limit.....	500 g peak
Shock limit	5000 g peak
Electromagnetic sensitivity, equiv. g.....	15 μ g/gauss
Humidity limit.....	100% relative
Base strain sensitivity.....	0.004 g/ μ strain
Radiation exposure limit.....	1x10 ⁷ RADs

Physical

Weight.....	110 g
Case material.....	stainless steel
Mounting	1/4-28 tapped hole
Output connector	2 pin, MIL-C-5015 style
Mating connector	R6
Recommended cable.....	J9T2 2-conductor shielded, Tefzel® jacket, 30 pF/ft

Connections

Function	Connector pin
power / signal	A
common	B

Notes: ¹A maximum current of 6 mA is recommended for operating temperatures in excess 100° C.

Accessories supplied: SF6 mounting stud; calibration data

Accessories available: magnetic mounting bases, cementing studs, cable assembly R6Q-J9T2-XX,
power supplies, amplifiers, signal conditioners

Meggitt Sensing Systems
20511 Seneca Meadows Parkway
Germantown MD 20876
USA

Tel: 301 330 8811

Fax: 301 330 8873

Email: wilcoxon@meggitt.com

www.wilcoxon.com
www.meggitt.com