

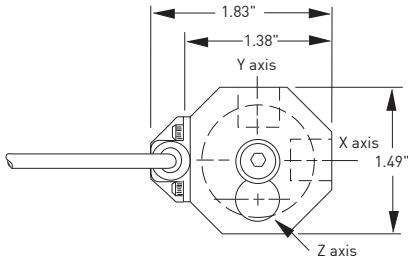
# Model 993A-5

## General purpose, triaxial accelerometer with integral cable

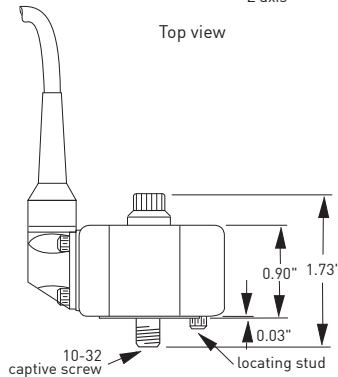


**Features**

- Rugged
- General purpose
- Industrial
- Easy to mount



Top view



Side view

**Dynamic**

Sensitivity, ±10%, 25°C .....	100 mV/g
Acceleration range .....	50 g peak
Amplitude nonlinearity .....	1%
Frequency response:	
all channels, ±10% .....	2 - 2,000 Hz
Transverse sensitivity, max. ....	5 % of axial
Temperature response:	
-50°C .....	+10%
+25°C .....	+0%
+80°C .....	+3%
-120°C .....	-7%

**Electrical**

Power requirement:	voltage source .....	18 - 30 VDC
	current regulating diode .....	2 - 10 mA
Electrical noise, equiv. g:		
Broadband	2.5 Hz to 25 kHz .....	150 µg
Spectral	10 Hz .....	20 µg/√Hz
	100 Hz .....	2 µg/√Hz
	1000 Hz .....	0.6 µg/√Hz
Output impedance, max. ....		100 Ω
Bias output voltage .....		12 VDC
Grounding .....		case isolated, internally shielded

**Environmental**

Temperature range .....	-50 to 120°C
Vibration limit .....	500 g peak
Shock limit .....	5,000 g peak
Electromagnetic sensitivity, equiv. g. ....	250 µg/gauss
Sealing .....	Epoxy
Base strain sensitivity .....	0.002 g/µstrain

**Physical**

Sensing element design .....	PZT ceramic / shear
Weight .....	90 grams
Case material .....	Hardcoated Aluminum
Mounting .....	10-32 captive screw
Mating connector .....	Not applicable

Function	Cable conductor color
Axis X, power / signal	green
Axis Y, power / signal	red
Axis Z, power / signal	white
Common (all channels)	black
N/C	shield

Accessories supplied: #11085 captive screw (International customers specify mounting requirements); calibration data (level 2)

Accessory available: SF8-8 Cementing pad, 10-32, keyed  
Options: Cable length, connectors

Wilcoxon Research Inc  
20511 Seneca Meadows Parkway  
Germantown, MD 20876  
USA

Tel: 301 330 8811  
Fax: 301 330 8873  
Email: wilcoxon@meggitt.com

www.meggitt.com

**MEGGITT**  
smart engineering for  
extreme environments