

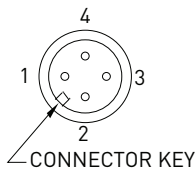
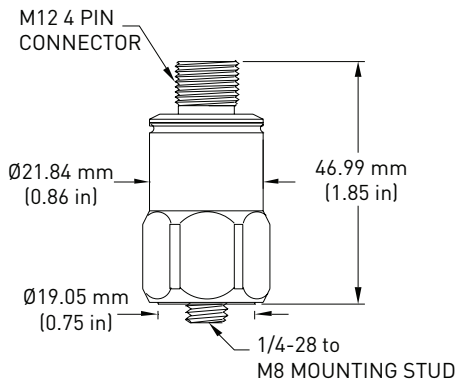
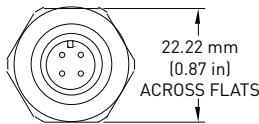


## Wilcoxon Research model 786A-M12 General purpose accelerometer



### Features

- M12 connector
- Hermetic seal
- Rugged design
- Corrosion resistant
- Case isolated
- ESD protection



### Dynamic

Sensitivity, ± 5%, 25° C.....	100 mV/g
Acceleration range, VDC >25V .....	80 g peak
Amplitude nonlinearity.....	1%
Frequency response:	
± 5%.....	3 - 5,000 Hz
± 10%.....	1 - 9,000 Hz
± 3 dB .....	0.5 - 14,000 Hz
Resonance frequency.....	30 kHz
Transverse sensitivity, max.....	5% of axial
Temperature response:	
-25° C.....	-10%
+120° C.....	+10%

### Electrical

Power requirement:	
Voltage source .....	18 - 30 VDC
Current regulating diode .....	2 - 10 mA
Electrical noise, equiv g:	
Broadband 2.5 Hz to 25 kHz .....	700 µg
Spectral	
10 Hz.....	10 µg/√Hz
100 Hz.....	5 µg/√Hz
1000 Hz.....	5 µg/√Hz
Output impedance, max .....	100 Ω
Bias output voltage .....	12 VDC
Grounding.....	case isolated, internally shielded

### Environmental

Temperature range .....	-50 to 120° C
Vibration limit.....	500 g peak
Shock limit .....	5,000 g peak
Electromagnetic sensitivity, equiv g, max .....	70 µg/gauss
Sealing .....	hermetic
Base strain sensitivity, max .....	0.0002 g/µstrain

### Physical

Sensing element design.....	PZT, shear
Weight.....	90 g
Case material.....	316L stainless steel
Mounting .....	1/4-28 UNF tapped hole
Mating connector .....	M12 style, 4 or 5 pin
Recommended cabling .....	J10 / J9T2A

### Connections

Function	Connector pin
ground	shell
power / signal	1
common	2
N/C	3
N/C	4

Accessories supplied: SF6M mounting stud; calibration data (level 2)

Meggitt Sensing Systems  
20511 Seneca Meadows Parkway  
Germantown MD 20876  
USA

Tel: 301 330 8811  
Fax: 301 330 8873  
Email: wilcoxon@meggitt.com

www.wilcoxon.com  
www.meggitt.com

**MEGGITT**  
smart engineering for  
extreme environments  
98998 Rev.B.3 3/12

