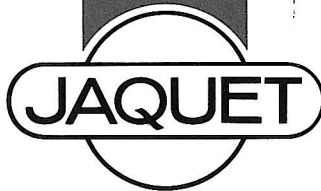


Swiss Made



JAQUET LTD
Thannerstrasse 15
CH-4009 Basle
Tel. +41 61 306 88 22
Fax +41 61 306 88 18



Operating instructions No. 611 E
FT 2000 Speed monitoring system
Voter card 2 of 3 FTV 2091

The selection board is for 2 of 3 selection with three-channel type limit monitoring systems and similar functions. Selection is by relay logic.

Technical data:

Dimensions: 19" rack mounting module, Europa card size
Height: 3 units = 132.5 mm
Width: 4 units = 20.32 mm

Triggering: (EC1, EC2, EC3) 3-channel by means of a make contact or open collector output, switching to the negative pole, max. 35 mA sink current (energized current) per channel.

A green LED (RELAY 1, 2, 3) flashes, when the corresponding relay is energized.

Relays: 3 monostable, polarised safety relays with positively actuated contacts.

Output: (K) 1 potential-free changeover contact with 2 of 3 function. An additional rest contact (KF) is used to signal that all three inputs have **identical** state.

Each contact is for a max. 250V/1A/50W.

In case of inductive load, external spark suppression must be provided!

Insulation voltage of the contact outputs acc. to VDE 0110:
in respect to earth and energized current circuit:

2000 Vrms

across the open contacts: 1000 Vrms

Creepage distances and clearances according to insulation group A.

Auxiliary power: Nominal 24 V= (18 ... 33 V) from rack supplies, nominal power dissipation 1.5 W (2.8 W at 33 V).
A green LED (OK) flashes, when the relay power supply is ok.

Ambient temperature: 0...+60°C, +70°C for a max. of 2 hours.

Storage temperature: -20...+85°C

Nov. 1992

FT 2000

Anschlusschema

Connection diagram

Schéma de raccordement

FTV 2091

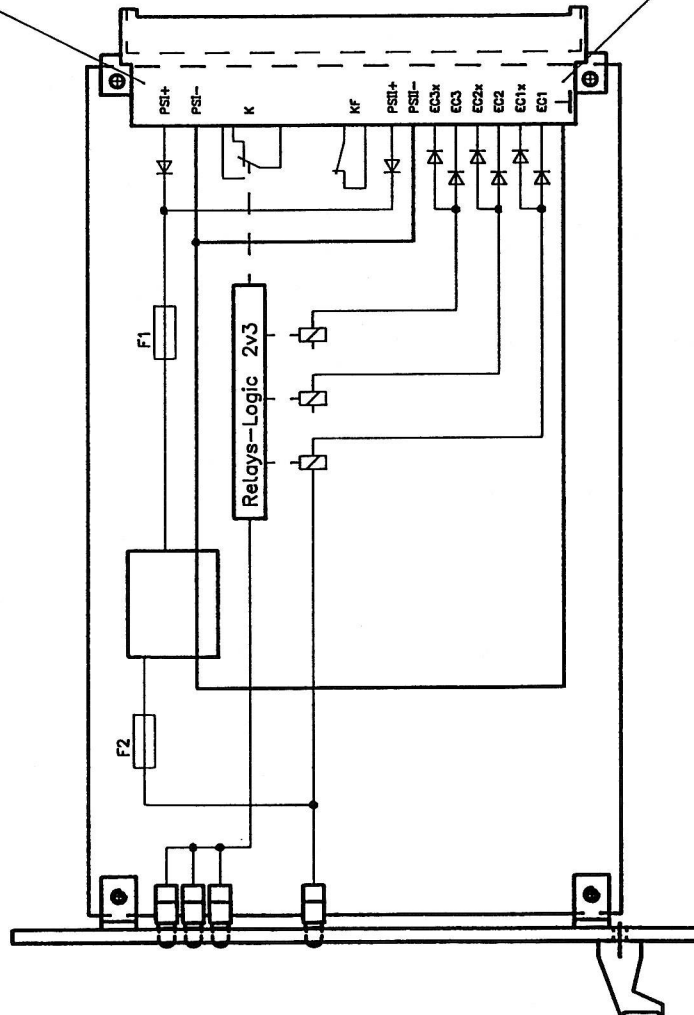
Auswahlkarte 2v3

Voter card 2 of 3

Module de sélection 2 de 3

373Z-03413

373Z-03509 verdrahtet



F1 : 200 mA
F2 : 100 mA

- d b z
- PSI+ 2 Hilfsenergie I Pluspol (+) / Power supply I plus terminal (+) / Alimentation I pôle positif (+)
- PSI- 4 Hilfsenergie I Minuspol (-) / Power supply I minus terminal (-) / Alimentation I pôle négatif (-)
- PE 6 Schutzleiter / Protective Earth / Conducteur de protection
- 8 Relais (1 U) / Relay (1 CO) / Relais (1 Inv)
- 10
- 12 Schutzleiter / Protective Earth / Conducteur de protection
- 14
- KF 16 Fehler (1 A) / Failure (1 O) / Panne (1 T)
- 18
- 20
- PSII+ 22 Hilfsenergie II Pluspol (+) / Power supply II plus terminal (+) / Alimentation II pôle positif (+)
- PSII- 24 Hilfsenergie II Minuspol (-) / Power supply II minus terminal (-) / Alimentation II pôle négatif (-)
- 26

- EC3 EC3x 28 d Ansteuerung Kanal 3 / Excitation channel 3 / Ansteuerung Kanal 3 / Excitation channel 3
- EC2 EC2x 30 d Ansteuerung Kanal 2 / Excitation channel 2 / Ansteuerung Kanal 2 / Excitation channel 2
- EC1 EC1x 32 d Ansteuerung Kanal 1 / Excitation channel 1 / Ansteuerung Kanal 1 / Excitation channel 1

Massbild
Dimensions
Côtés

3-110.544/2

Aenderungen: 5246 13.7.95 Wa./Ko.



JAL ET AG
BASEL

2.6.92
STA

Sach-Nr. 373

FT 2000 - FTV 2091

4-110.531/3