



JAQUET LTD
 Thannerstrasse 15
 CH-4009 Basle
 Tel. +41 61 306 88 22
 Fax +41 61 306 88 18



Operating instructions No. 614 E

FT 2000 Speed monitoring system
Power supply AC
FTZ 2061 and FTZ 2062
Power supply DC
FTZ 2064 and FTZ 2065

The supply unit serves to adapt the mains voltage to the auxiliary voltage of 18 to 33 V= required in the rack.

Technical data:

Dimensions: 19" rack mounting module, Europa card size
Height: 3 units = 132.5 mm
Width: 4 units = 20.32 mm

Auxiliary power: isolated, dielectric strength 2000V, 50Hz in respect to protective earth, ie. front panel and rack and output.

FTZ 2061: 115/230 V AC, -20%, +15%
FTZ 2062: 24/ 48 V AC, -20%, +15%
 programmable with solder straps

FTZ 2064: 14...70 V DC
FTZ 2065: 75...372 V DC/85...264 V AC, all-current

Output: isolated, dielectric strength 500V, 50Hz in respect to protective earth, ie. to front panel and sub-drawer frame.

FTZ 2061/FTZ 2062

Output voltage nominal: 24 V DC, $\pm 5\%$ /1 A
with under-voltage: min. 18 V DC/1.5 A
with over-voltage: max. 33 V DC/ 0 A $I_{max} = 1.3$ A
Output power: max. 35 W
 A green check LED lights when the output voltage is above 18V.

FTZ 2064/FTZ 2065

Output voltage over the whole input and output load range: 24 V DC, $\pm 5\%$
Output current: 2 A
Output power: 48 W max.
 A green LED is on, when the input/output voltage and the output current are within the tolerances.
 A red LED signals a low input voltage or if the temperature is above 95°C. The output voltage is inactive.
 Another red LED (IOL) lights up, when the output current is above 2 A.
Ambient temperature: 0...+60°C, +70°C for a max. of 2 hours.
Storage temperature: -20...+85°C

FT 2000

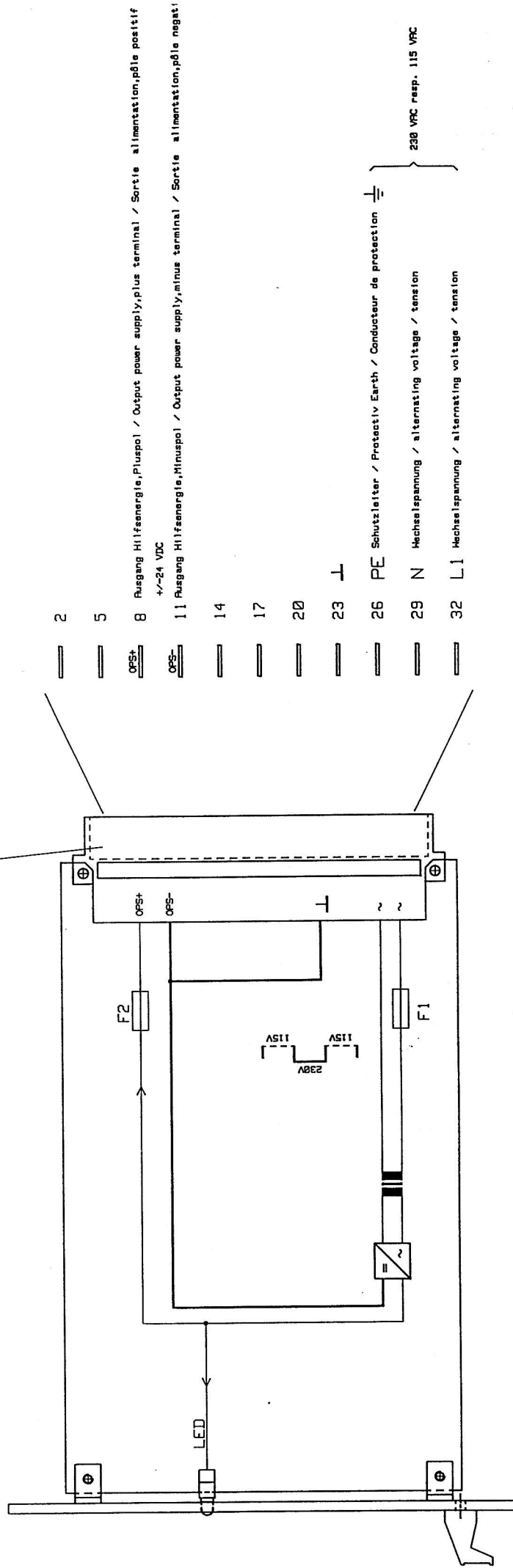
Anschlusschema
Connection diagram
Schéma de raccordement

FTZ 2061

Speisegeräte
Power supply units
Appareils d'alimentation

Stecker
Connector
Connecteur
DIN 41612 H11

DIN 41612 H11



2	8	11	14	17	20	23	26	29	32
OPSt	OPSt	OPM					PE	N	L1
Ausgang Hilfsenergie, Pluspol / Output power supply, plus terminal / Sortie alimentation, pôle positif		+/-24 VDC				Schutzleiter / Protective Earth / Conducteur de protection		230 VFC resp. 115 VFC	
		Ausgang Hilfsenergie, Minuspol / Output power supply, minus terminal / Sortie alimentation, pôle négatif				Wechselspannung / alternating voltage / tension			
						Wechselspannung / alternating voltage / tension			

F1 : 315 mA 230 V~
 630 mA 115 V~
 F2 : 2,0 AT

Ersatz für Anschluss DIN 41612 F 3-110.534/4

Massbild
Dimensions
Côtés

3-110.544/9

Änderungen:



JAQUET AG
BASEL

25.2.92
STA

3-110.531/14

Sach-Nr. 373

FT 2000

Anschlusschema

Connection diagram

Schéma de raccordement

FTZ 2062

Speisegeräte

Power supply units

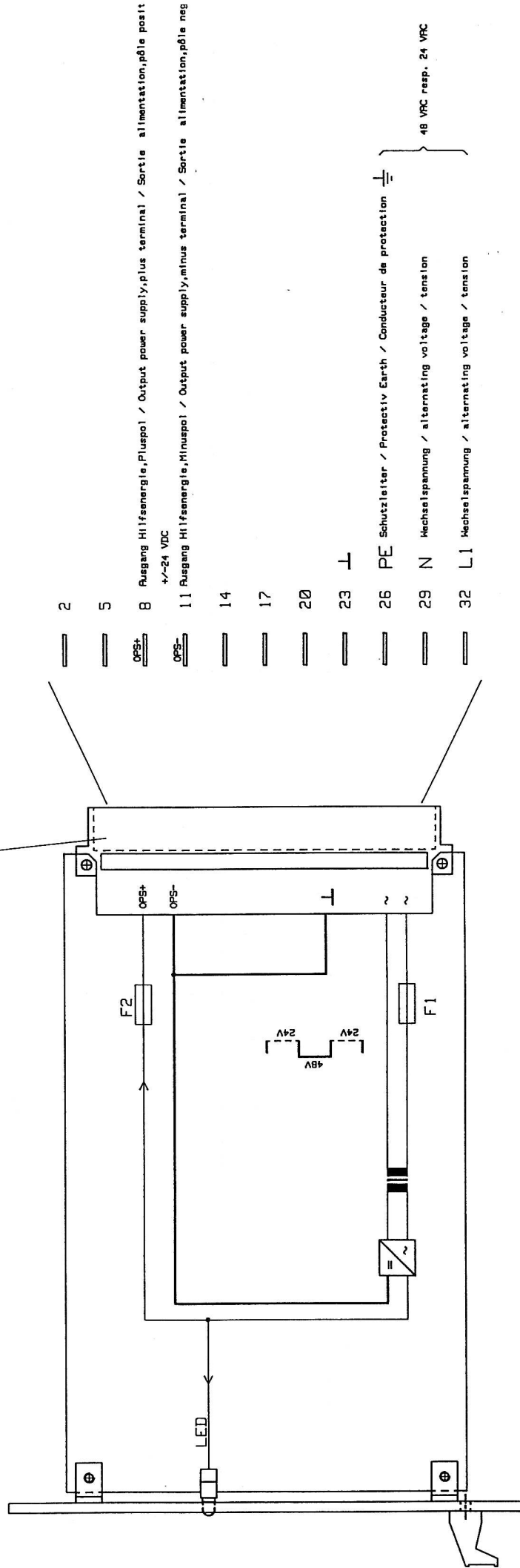
Appareils d'alimentation

Stecker

Connector DIN 41612 H11

Connecteur

DIN 41612 H11



F1 : 3,15 AT 24 V~
1,6 AT 48 V~

F2 : 2,0 AT

Massbild
Dimensions
Côtés

3-110.544/9

Flenderungen:



JAQUET AG
BASEL

1.6.92
STA

3-110.531/15

Sach-Nr. 373

FT 2000

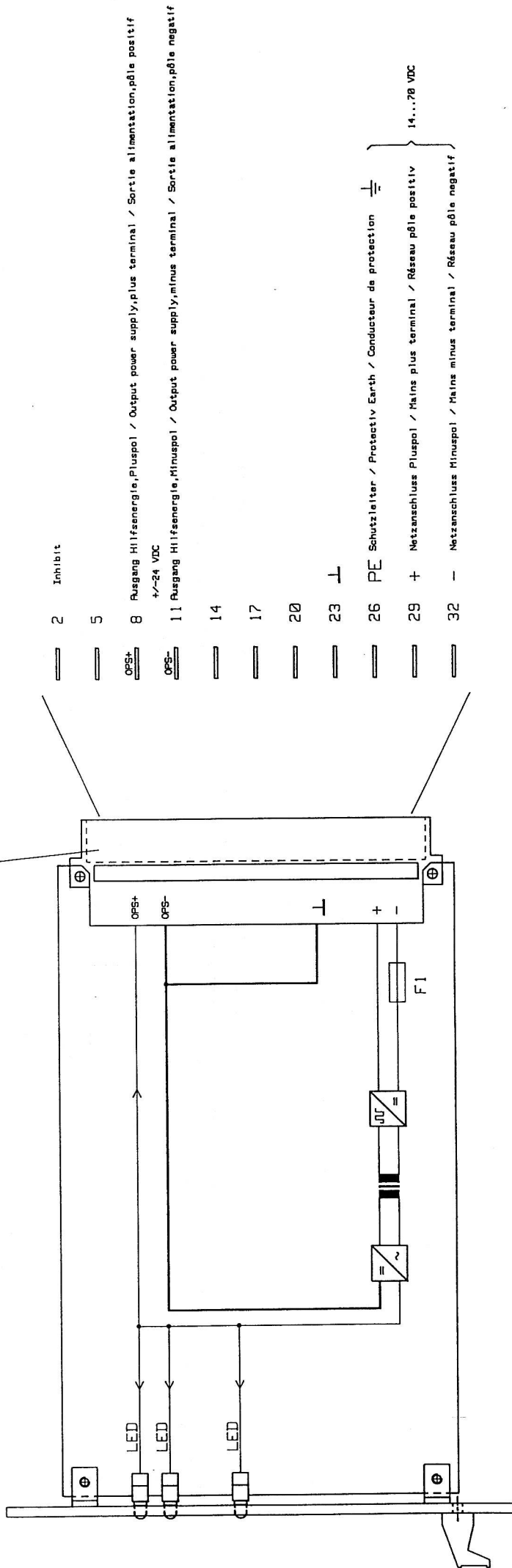
Anschlusschema
Connection diagram
Schéma de raccordement

FTZ 2064

Speisegeräte
Power supply units
Appareils d'alimentation

Stecker
Connector
Connecteur

DIN 41612 HI1



F1 : 8,0 AT 14...70 VDC

Massbild
Dimensions
Côtés

3-110.544/10

Renderungen:



JAQUET AG
BASEL

1.6.92
STA

3-110.531/16

Sach-Nr. 373

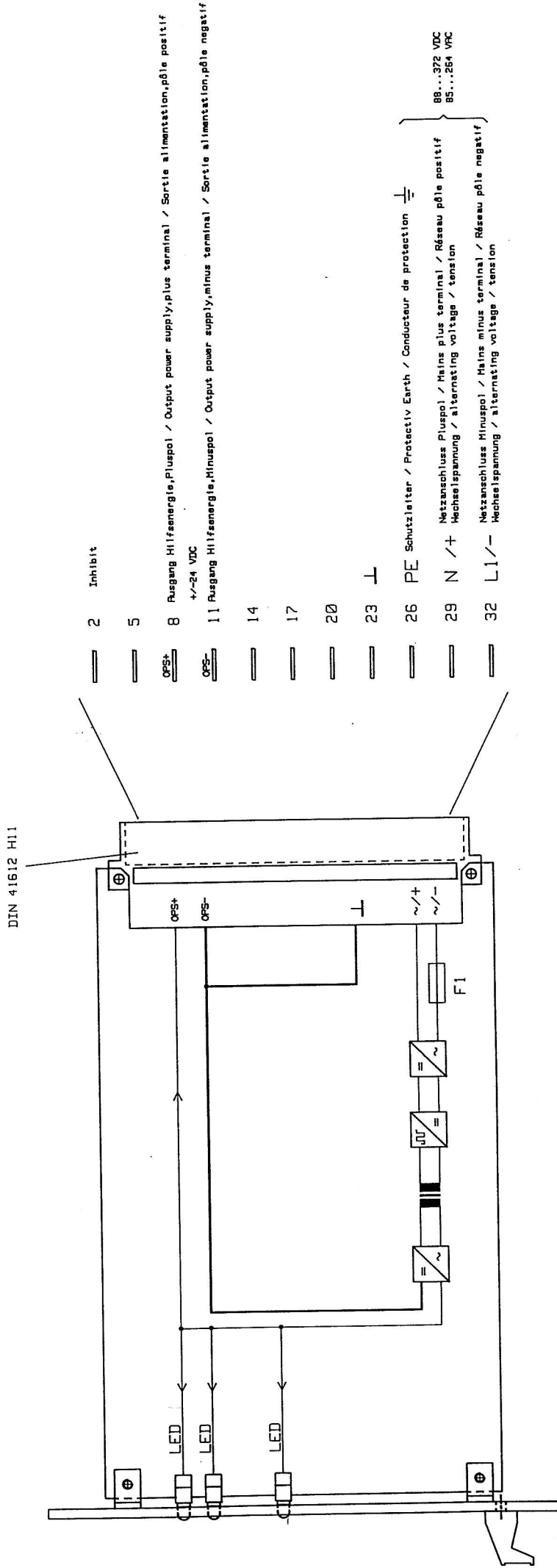
FT 2000

Anschlusschema
Connection diagram
Schéma de raccordement

FTZ 2065

Speisegeräte
Power supply units
Appareils d'alimentation

Stecker
Connector
Connecteur



- 2 Inhibit
- 5
- 8 Ausgang Hilfsenergie, Pluspol / Output power supply, plus terminal / Sortie alimentation, pôle positif
- 11 Ausgang Hilfsenergie, Minuspol / Output power supply, minus terminal / Sortie alimentation, pôle négatif
- 14
- 17
- 20
- 23 \perp
- 26 PE Schutzleiter / Protective Earth / Conducteur de protection
- 29 N / +
Netzanschluss Pluspol / Mains plus terminal / Réseau pôle positif
Wechselspannung / alternating voltage / tension
- 32 L1 / -
Netzanschluss Minuspol / Mains minus terminal / Réseau pôle négatif
Wechselspannung / alternating voltage / tension

F1 : 2,5 AT 88...372 VDC
85...264 VAC

Massbild
Dimensions
Côtés

JAQUET
BRASEL

JAQUET AG
1.6.92
STA

3-110.531/17

Sach-Nr. 373

Änderungen:

