

# Intrinsically safe accelerometer

## ISTACCSI10



### SPECIFICATIONS

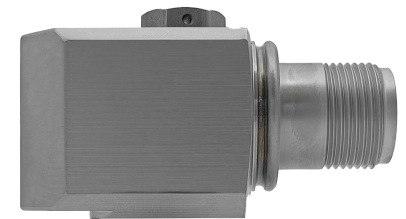
<b>Sensitivity, ± 5%, 25°C</b>	100 mV/g
<b>Acceleration range</b>	80 g peak
<b>Amplitude nonlinearity</b>	1%
<b>Frequency response:</b>	
± 10%	1.0 - 5,000 Hz
± 3 dB	0.5 - 10,000 Hz
<b>Resonance frequency</b>	22 kHz
<b>Transverse sensitivity, max</b>	5% of axial
<b>Temperature response:</b>	
-55°C	-20%
+120°C	+10%
<b>Power requirement:</b>	
<b>Voltage source</b>	18 - 28 VDC
<b>Current regulating diode</b>	2 - 10 mA
<b>Electrical noise, equiv. g:</b>	
<b>Broadband</b> <b>2.5 Hz to 25 kHz</b>	700 µg
<b>Spectral</b> <b>10 Hz</b>	10 µg/√Hz
<b>100 Hz</b>	5 µg/√Hz
<b>1,000 Hz</b>	5 µg/√Hz
<b>Output impedance, max</b>	100 Ω
<b>Bias output voltage</b>	12 VDC
<b>Grounding</b>	case isolated, internally shielded
<b>Temperature range</b>	-55° to +120°C
<b>Vibration limit</b>	500 g peak
<b>Shock limit, min</b>	5,000 g peak
<b>Electromagnetic sensitivity, equiv. g, max</b>	70 µg/gauss
<b>Sealing</b>	hermetic
<b>Base strain sensitivity, max</b>	0.002 g/µstrain
<b>Sensing element design</b>	PZT ceramic / shear
<b>Weight</b>	145 grams
<b>Case material</b>	316L stainless steel
<b>Mounting</b>	1/4-28 captive hex head screw, 0.046" diameter safety wire hole
<b>Output connector</b>	2 pin, MIL-C-5015 style
<b>Mating connector</b>	R6 type
<b>Recommended cabling</b>	J10 / J9T2A

**Accessories supplied:** 1/4-28 captive hex head screw; calibration data (level 2)

### Certifications

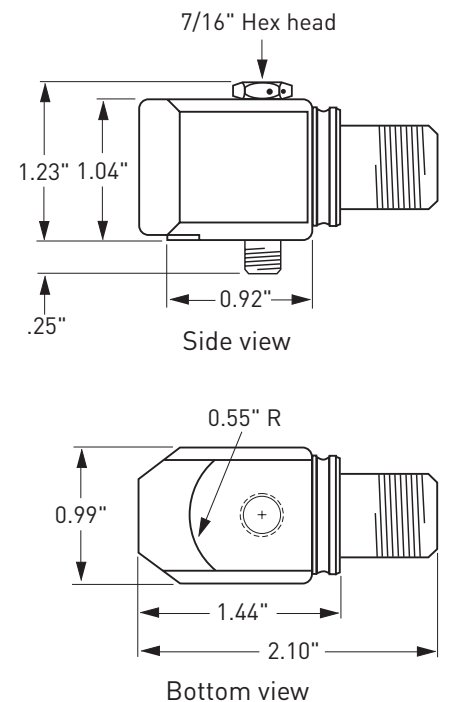
	Class I, Div 1 Groups A, B, C, D		II 1 G	
	Class II, Div 1 Groups E, F, G		Ex ia IIC T4 Ga	
	Class III		Ta = -50°C to 120°C	
	Class I Zone 0 AEx/Ex ia IIC T4			
	Ta = -50°C to 120°C			

Relabeled model 787A-IS from Wilcoxon Sensing Technologies. Must be installed per document 12879. For application in explosive atmospheres caused by gases, vapours or mists and where the use of apparatus of category 1G is required, electrostatic charges on the cable and non-metallic parts of the enclosure shall be avoided. The ambient temperature range for these applications is -40°C to +80°C.



### Key features

- Hazardous area certified - intrinsically safe
- API 670 compliant
- Manufactured in ISO 9001 facility



Connections	
Function	Connector pin / cable conductor color
power/signal	A / white
common	B / black
ground	shell / shield

Note: Due to continuous process improvement, specifications are subject to change without notice. This document is cleared for public release.